

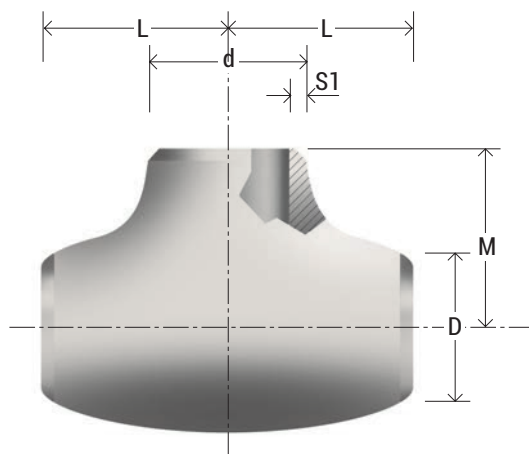
Pezzi a T normali e Caps.

Acciaio AISI 304L/316L.

Dimensioni secondo norme ANSI B16.9 - ASTM A403.

Diametro esterno		Spessori schedule			Lunghezza Tee	Altezza fondelli
(pollici / Inches)	(mm)	10S S (mm)	40 S Standard S (mm)	40 S Standard S (mm)	M (mm)	L (mm)
1/2"	21,3	2,11	2,77	3,73	25,0	26,4
3/4"	26,7	2,11	2,87	3,91	28,6	25,4
1	33,4	2,77	3,38	4,55	38,1	38,0
1 1/4"	42,2	2,77	3,56	4,85	48,0	38,0
1 1/2"	48,3	2,77	3,68	5,08	57,0	38,0
2	60,3	2,77	3,91	5,54	64,0	38,0
2 1/2"	73,0	3,05	5,16	7,01	76,0	38,0
3	88,9	3,05	5,49	7,62	86,0	51,0
3 1/2"	101,6	3,05	5,74	8,08	95,3	64,0
4	114,3	3,05	6,02	8,56	105,0	64,0
5	141,3	3,40	6,55	9,52	124,0	76,0
6	168,3	3,40	7,11	10,97	143,0	89,0
8	219,1	3,76	8,18	12,70	178,0	102,0
10	273,0	4,19	9,27	12,70	216,0	127,0
12	323,9	4,57	9,52	12,70	254,0	152,0

Tee.



Caps.

